

2

1

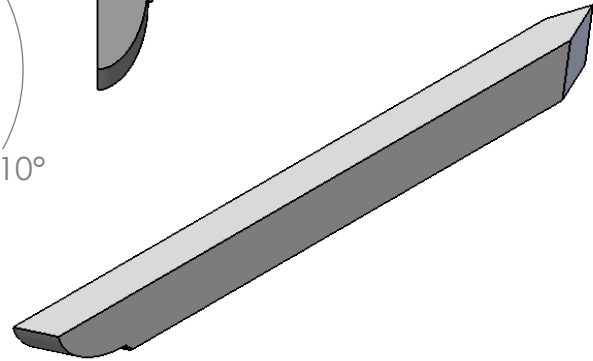
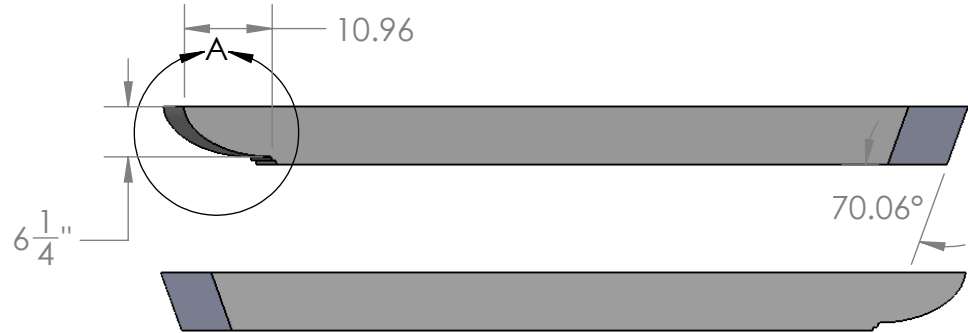
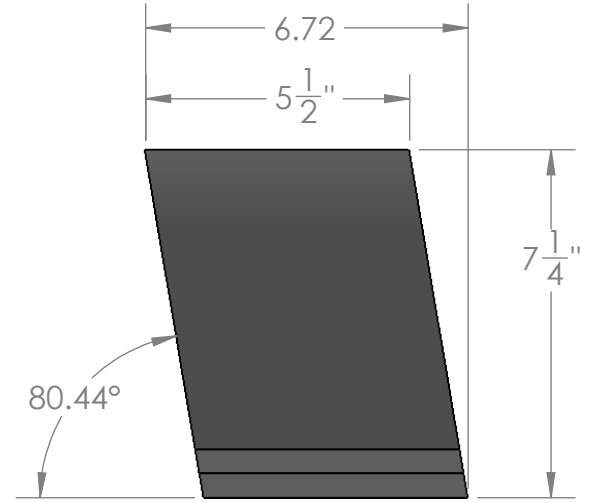
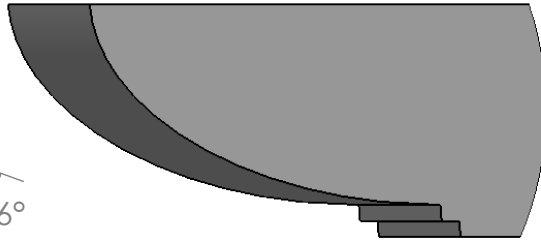
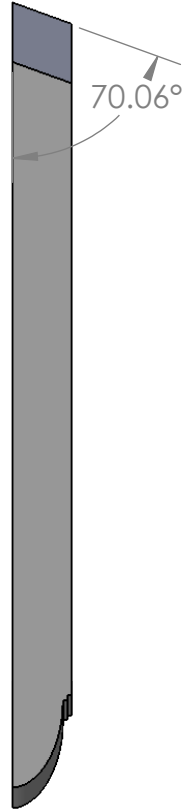
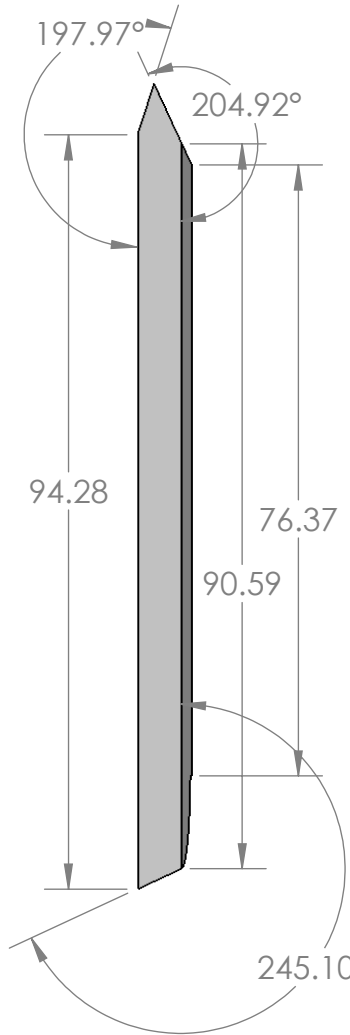
B

B

A

A

DETAIL A
SCALE 1 : 6



2

1

Side View Design

Cameron Carr

Construction Design
3D Modeling
Shop Drawings

805 455-3869
cameron@sideviewdesign.com
www.sideviewdesign.com

TITLE: **Side View Design**

Rafter Skewed Lt

Unit. NO.